

150W Constant Voltage-LS Series

LS-150-XX LI1



■Approve



■Features

- Class II, SELV, independent
- Input Voltage 220-240VAC
- Protections: SCP/OLP/OVP/OTP
- Power Factor >0.9
- Efficiency ≥91%
- 5 years warranty

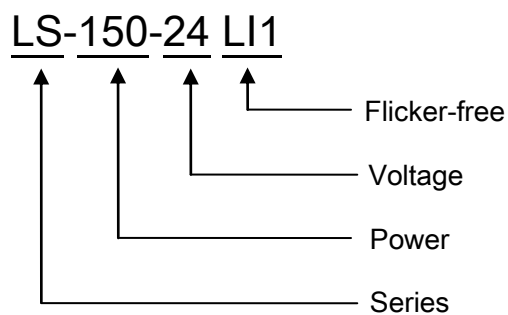
■Applications

- LED strips
- Pendant light

■Description

LS-150-XX LI1 is a 150W constant voltage LED driver that operates from 198-264Vac input with 24V output voltage. With its compact dimensions from 268 x 45 x 30.5mm it is easy to integrate in LED strips and pendant light products. To ensure trouble-free operation, protection is provided against output short circuit and over Load.

■Model code



150W Constant Voltage-LS Series

LS-150-XX LI1

■ Specification

Input	Rated input voltage	220-240VAC	
	Range of input voltage	198-264VAC	
	Frequency(Hz)	50/60 Hz	
	Power Factor	> 0.9@220-240VAC, Full load	
	Input Current max	0.95A MAX. @Full Load,198VAC	
	Start-up time	< 0.5S	
	Unload Power Consumption	≤0.5W	
	Inrush Current	55A Max. @Full Load,240VAC	
	THD	< 10% @220-240VAC, Full load	
	Leakage Current	< 0.7mA(240VAC)	
	Output	Constant Voltage	24±1VDC
Current Range		6.25A Max.	3.13A Max.
Rated power		150W Max.	
Voltage Accuracy		±5%	
Voltage Regulation		±1% @Full Load	
Load Regulation		±1%	
Hold-up Time		≥5ms/230VAC @ full load	
Ripple & Noise *Note.2		≤1%@Full Load,240VAC	
Output LF current ripple(<120Hz)		≤1%@Full Load,240VAC	
Efficiency(Typ.)		≥91%	
Protection	Over Load Protection	105-150% rated output power Protection type: Auto Resume	
	Over Voltage protection	> 25.2Vdc Protection type: Auto Resume	
	Short circuit Protection	Protection type: Auto Resume	
	Over Temperature protection	Protection type: Auto Resume	
Environment	Operating Temperature	-20°C...+40°C	-20°C...+45°C
	tc	85°C	
	Storage Temperature	-20°C...+60°C	
	Life time	≥44,000h@40°C, full load	≥44,000h@45°C, full load
	Temperature coefficient	±0.03%/°C(0-40°C)	
	Humidity	20%-90%RH	
Others	Dimension	268X45X30.5(LXWXH)mm	
Safety & EMC	Safety standards	EN 61347-1; EN61347-2-13; EN62493	
	Withstand voltage	Input-Output : 3750V/5mA/1min	
	Isolation resistance	Input-Output : ≥4MΩ@500VDC	
	EMI	EN55015; EN61000-3-2 Class C; EN61000-3-3	
	EMS	EN 61547; EN 61000-4-2; EN 61000-4-5 —1000V;	
Note	1.All parameters NOT specially mentioned are measured at 240VAC input , full load and 25°C of ambient temperature. 2.Ripple & Noise are measured at 20MHz of bandwidth by using a 300mm twisted pair-wire terminated with a 0.1uF & 47 uF parallel capacitor.		

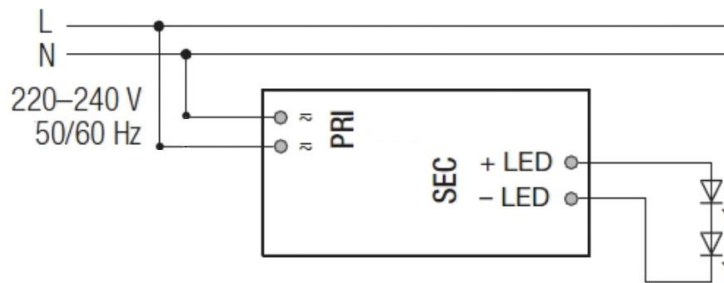
150W Constant Voltage-LS Series

LS-150-XX LI1

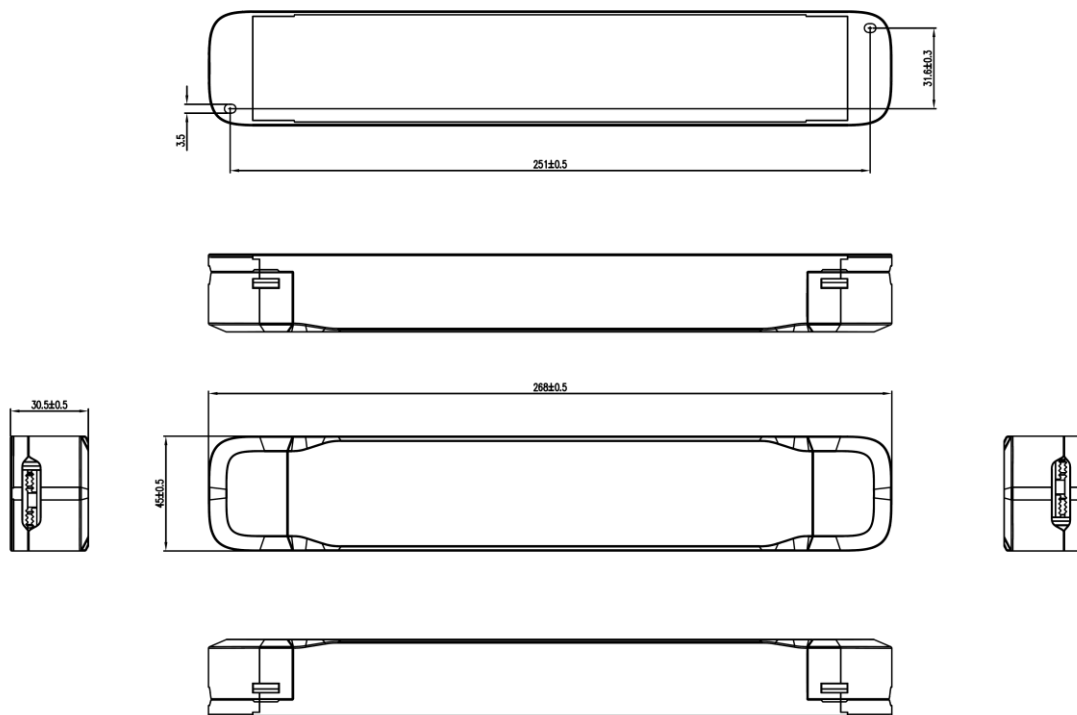
Model list

No.	Model number	Input			Output		
		Voltage (VAC)	Max.Current (A)	Frequency (Hz)	Constant voltage (V)	Normal working current (A)	Max. Power(W)
1	LS-150-24 LI1	220-240	0.95	50/60	24	0-6.25	150
2	LS-150-48 LI1	220-240	0.95	50/60	48	0-3.13	150

Wiring diagram



2D diagram

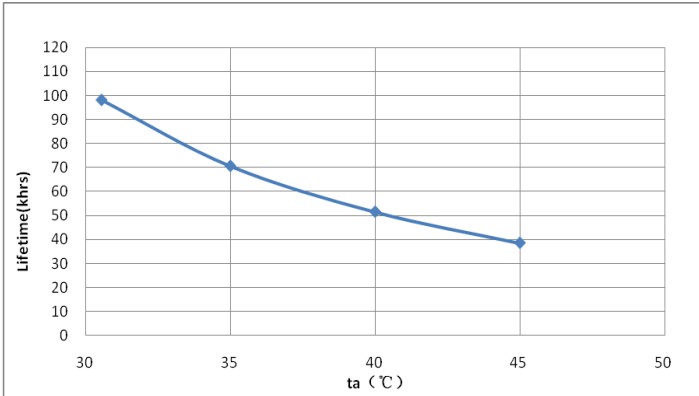


150W Constant Voltage-LS Series

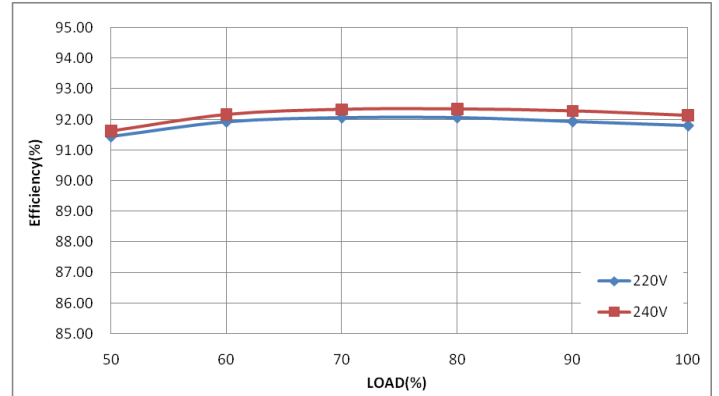
LS-150-XX LI1

Curve for LS-150-24 LI1

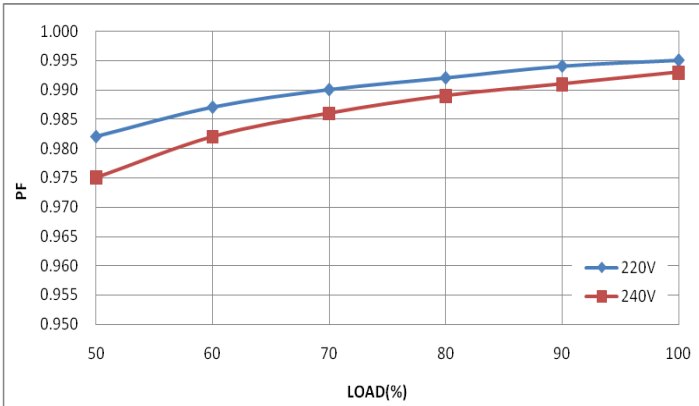
Lifetime vs. Ambient Temperature Curve



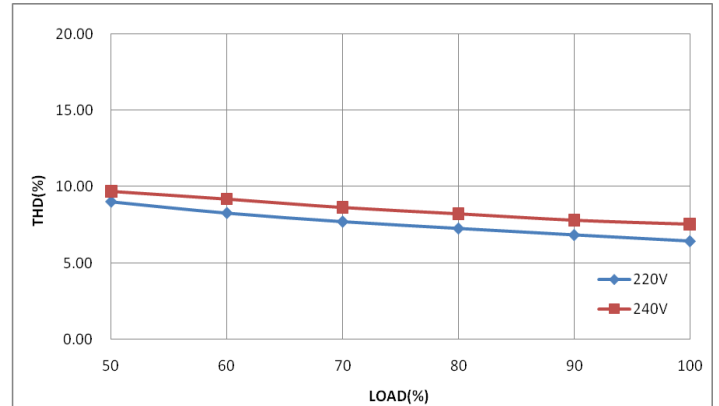
Efficiency vs. Load



Power Factor Characteristics



THD vs. Load



Operating window

